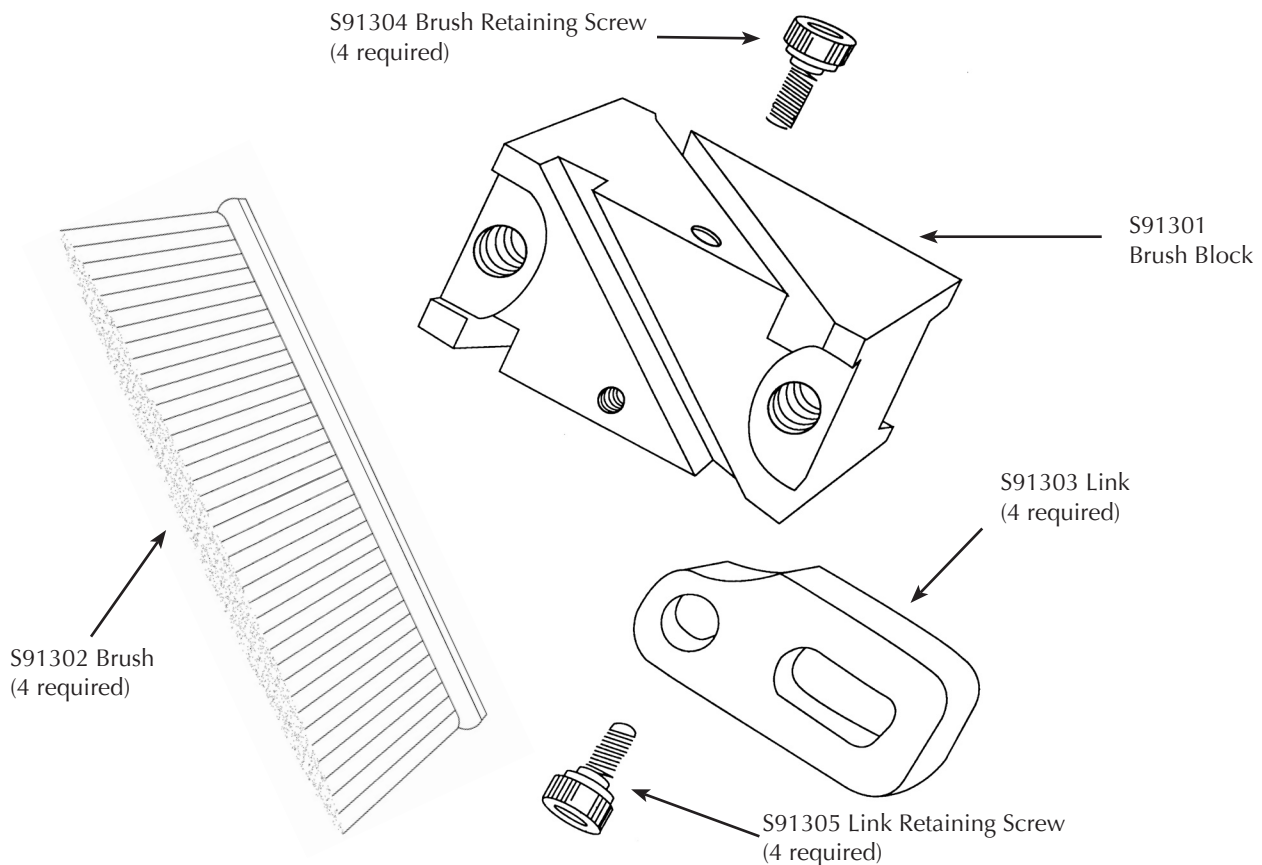




## Brush Set-Up Procedure for #S91300 Channel Sweep



- Brushes should be set-up by aligning score marks on brush with edges of brush cavity